

ZONKE GOODE LIGHTING Co.,Ltd

Factory Add:Building B,NO.,57th,Muyu Road,Shatou,Chang'an Town,Dongguan,Guangdong,China

TECHNICAL DATA SHEET

CREE LED Street Light 90W



Name: 90W LED STREET LIGHT
Model No. GD20101006



Advantages

- Energy Saving up to 80%
- No UV or Mercury
- Virtually Maintenance Free
- Long Life Span up to 50,000 hours
- Green and Eco-friendly
- Special Unibody Modular Design, Easy installation
- Superior Light Quality : Cree LEDs with Meanwell Driver
- Optimal Thermal Transfer ,Patent Vapor Chamber Cooling Technologies

Applications

- High Way ,Street, Parking lots
- Garden, Square
- Custom applications
- Sport Stadiums, Government projects
- Other Outdoor applications

ZONKE GOODE LIGHTING Co.,Ltd

Factory Add:Building B,NO.,57th,Muyu Road,Shatou,Chang'an Town,Dongguan,Guangdong,China

TECHNICAL DATA SHEET

PRODUCT SPECIFICATIONS

Model No.	GD10201006
Power	90W
Dimmension	755*300*216MM
N.W.	8.7KG
Lens	90*135°
Installation	installed on the poles

TECHNICAL CHARACTERISTIC

Color Temperature	Warm White	Nature White	Cool White
Kelvin	2700-3200K	4000-4500K	5500-6500K
Color Rendering Index	>75Ra		
Lumenious flux(90*135°)	6200lm	7200lm	8100lm
<u>Illuminance@8m</u>	36.18 lux	37.25lux	38.8lux
Lumen Efficacy	70LM/W	80LM/W	90LM/W
Power Consumption	90W		
Input Voltage	AC90-260V, or DC12V/24V		
Output Voltage	DC42V~52V		
Frequency Range	43~64Hz		
P.F.	>0.95		
Equivalent	180~200W Metal Halide Philips or HPS		
IP Rating	IP65 Waterproof		

MATERIALS & OTHER

LED Brand	CREE	Operating Temperature	-30°C~+50°C
LED Type	CREE XTE R4	Working Humidity(Ambient)	10%RH~100%RH
LED Driver	Meanwell HLG-100H-54	Storage Temperature	-35°C~+70°C
Housing	AL	Heat Sink Surface Temp.	52-58°C
lens	optical PC	Warranty	3 Years

PACKING

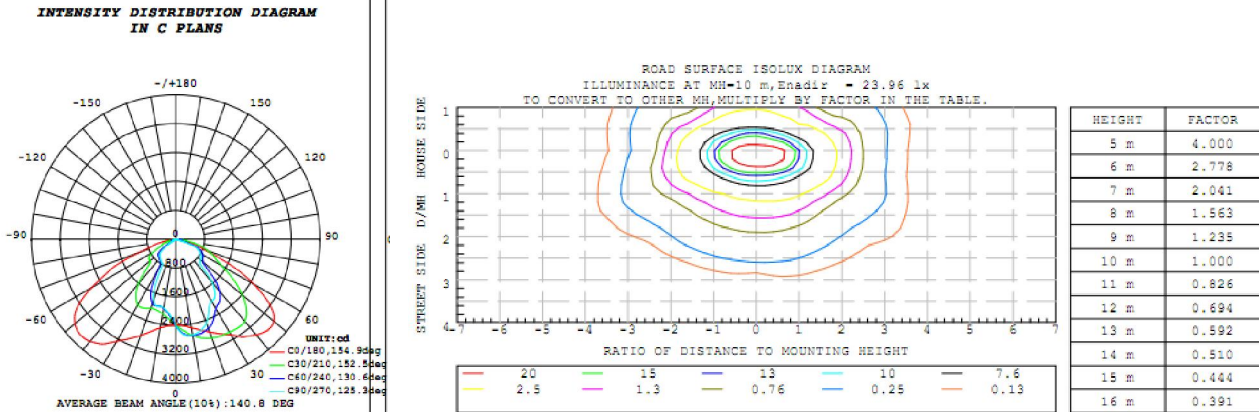
Packing	1 PC/CARTON(BOX)
Carton (Box)Size	L840XW350XH250MM
G.W.	9.5KG/CTN

ZONKE GOODE LIGHTING Co.,Ltd

Factory Add: Building B, NO., 57th, Muyu Road, Shatou, Chang'an Town, Dongguan, Guangdong, China

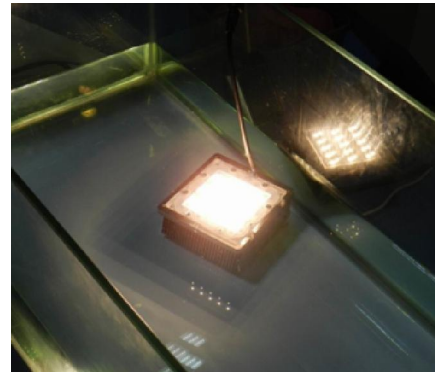
TECHNICAL DATA SHEET

Light Distribution Curve



Creative Module Design

Use 2*45W LED Module , Easy to Install and Maintenance. Unit 45W Module: 90*135° /120° ,IP65 Waterproof



Perfect Vapor Chamber Cooling Solutions (Vapor Chamber is a Super Conductive Material, he can carry the heat very fast)



Mounted LEDs on the Vapor Chamber by SMT Process



Weld one Vapor Chamber LEDs inside to be module



Fix the 2*45W modules and Connected driver on the plate to be street light

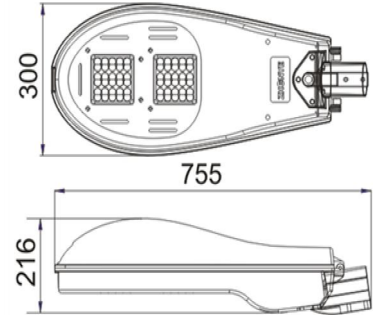
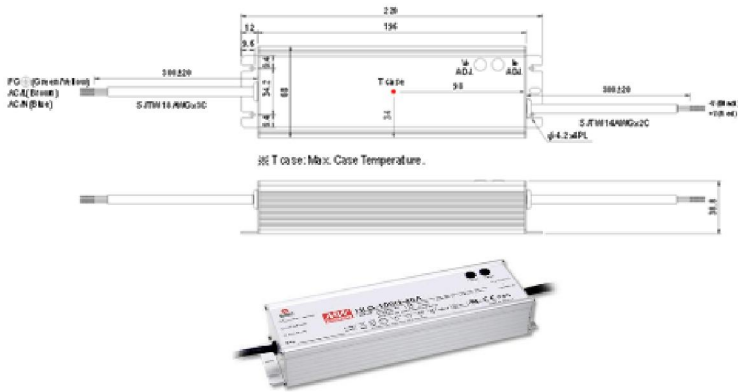
ZONKE GOODE LIGHTING Co.,Ltd

Factory Add:Building B,NO.,57th,Muyu Road,Shatou,Chang'an Town,Dongguan,Guangdong,China

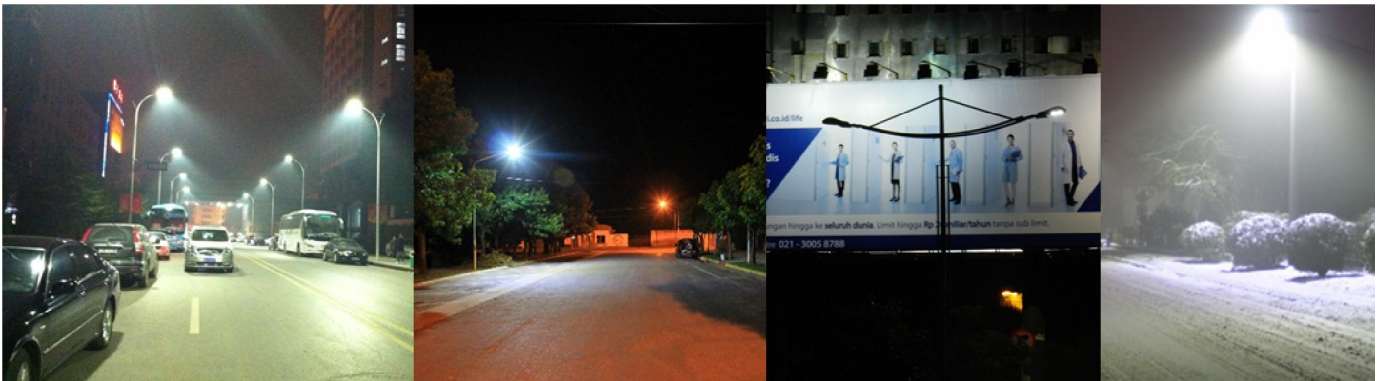
TECHNICAL DATA SHEET

Driver Size Meanwll HLG-100H-48

Dimmensions (mm)



Projects



Package

